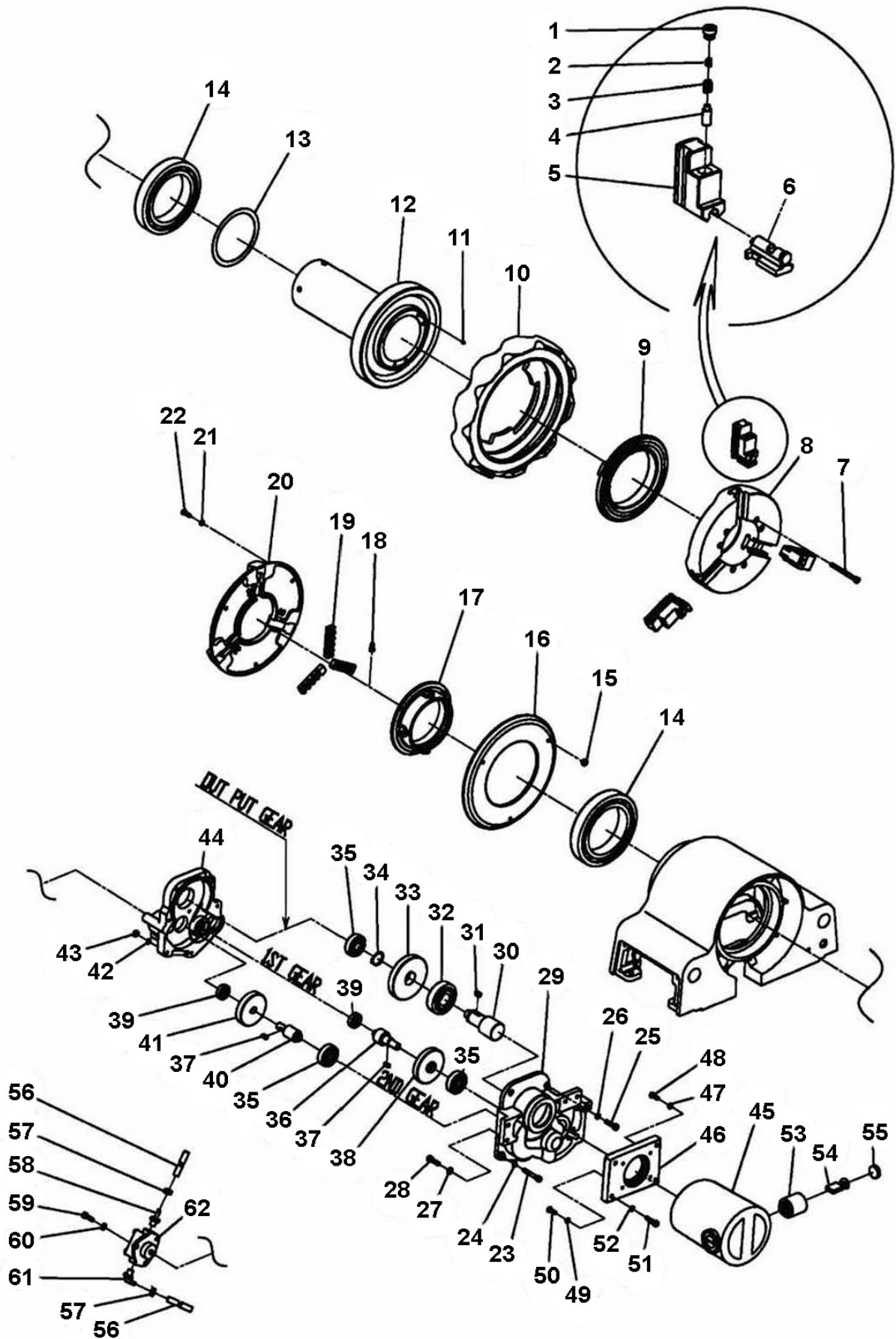


frame, spindle case

dated: 01/17

Item no.	Description	Article no.	Quantity
1	Caution sticker RO	87080	1
2	Caution plate RO	87081	1
3	Spindle case	81632	1
4	Flat head screw M6x10L	81633	8
5	Machine plate	81636	1
6	Thermal relay cap	87109	1
7	Switch plate	81637	1
8	Switch BEH2302	81638	1
9	Connector C4N6x4-PT1/4	81643	1
10	Gear cover	81647	1
11	Spring washer CM6	81621	2
12	Pan head screw M6x12L	81648	2
13	Oil cover	81651	1
14	Spring washer CM6	81621	4
15	Pan head screw M6x12L	81648	4
16	Outer ring spacer	81652	1
17	Hex socket set bolt M6x6L	85932	1
18	Hex socket bolt M8x45L	85979	2
19	Spring washer CM8	81625	2
20	Frame	81654	1
21	Guide bar R	81655	1
22	Guide bar F	81659	1
23	Plug 1/2"	83228	1
24	Pan head screw M6x12L	81648	1
25	Filter	84188	1
26	Frame under cover	81662	1
27	Spring washer CM6	81621	4
28	Hexagon head bolt M6x10L	81663	4
29	Hole cap DP-562	81664	2
30	Hex socket bolt M8x50L	81665	4
31	Spring washer CM8	81625	4
32	Suction pipe	81666	1
33	Connector GES8xPT1/4	81658	1
34	Hose clamp 12	81657	1
35	Cord connector OA-W1611	86902	1
36	Power cord CEE G4 meter	FF51089	2
36	Power cord 100V-120V	81667	1
37	Tooth look washer M6	81668	1
38	Pan head screw M6x8L	81669	1
39	Pump cover	81670	1
40	Hex socket bolt M6x20L	83782	4
41	Spring washer CM6	81621	4
42	Chip pan	81671	1
43	Strainer	83364	1
44	Oil tank lid	81672	1
45	Thermal relay 106-P10-6A	87107	1
46	CE-Coil capacitor compl. 230V	87108	1
47	Foot switch RO	56335	1
48	RO Sticker	87104	1
49	Warning sticker RO	87105	1
50	Clamping foot	150000274	4
51	Stand feet (content 4 pieces)	56049	1
56490	Supporting legs (4 pieces)	56490	1

IMPORTANT! To assure safety and reliability, repairs, maintenance and adjustment must be preformed by ROTHENBERGER Kelkheim or authorized Service-Centers. Always use Original-Service-Parts. Order your accessories and spare parts from your specialist retailer or using our Service After Sales hotline



hammer chuck, scroll and gears

dated: 01/17

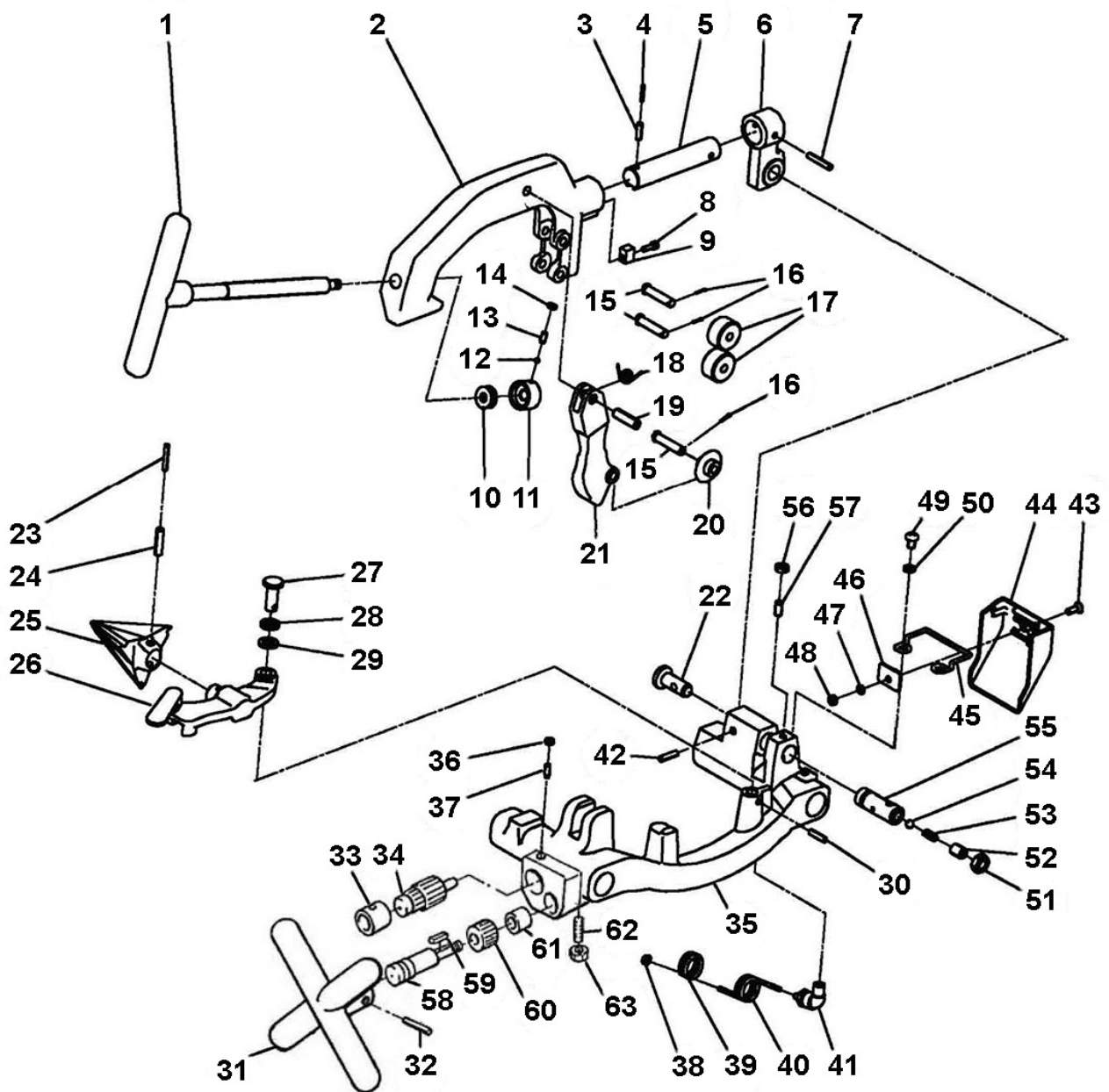
Item no.	Description	Article no.	Quantity
1	Hammer chuck bolt	81601	3
2	Hammer chuck spring B	81602	3
3	Hammer chuck spring A	81603	3
4	Hammer chuck pin	81604	3
5	Hammer chuck jaw assembly	81605	1 set
6	Jaw insert complete	81720	1 set
7	Hex socket bolt M6x55L	88469	6
8	Hammer chuck body	81608	1
9	Hammer chuck scroll	83701	1
10	Hammer chuck outer ring	85827	1
11	Pre-load spring	85823	6
12	Spindle gear complete	81612	1
13	Thrust plate	85821	1
14	Ball bearing 6015 2RS	81614	2
15	Hex nut M6	84169	3
16	Scroll cap	81616	1
17	Scroll	81617	1
18	Scroll stop bolt	86929	4
19	Scroll jaw set	83703	1 set
20	Scroll body	81723	1
21	Spring washer CM6	81621	3
22	Pan head screw M6x16L	81622	3
23	Hex socket bolt M6x40L	81623	1
24	Spring washer CM6	81621	1
25	Hex socket bolt M6x25L	H98368	5
26	Spring washer CM6	81621	5
27	Spring washer CM6	81621	4
28	Hex socket bolt M6x25L	H98368	4
29	Gear box	81760	1
30	Output shaft pinion	81761	1
31	Key 6x6x13	83344	1
32	Ball bearing 6304 ZZ	81762	1
33	Output shaft reduction gear	81763	1
34	C Snap ring S-20	81764	1
35	Ball bearing 6201 ZZ	85902	3
36	1st Shaft pinion	81765	1
37	Key 5x5x13	83189	2
38	1st Shaft reduction gear	81767	1
39	Ball bearing 6301 ZZ	86950	2
40	2nd Shaft reduction gear	81709	1
41	2nd Shaft pinion	81710	1
42	Spring washer CM6	81621	1
43	U-nut M6	81711	1
44	Gear box cover	81712	1
45	Motor 230/240V	81599	1
45	Motor 100V	81713	1
45	Motor 110V	81714	1
46	Motor adapter	81646	1
47	Spring washer M5	84094	2
48	Pan head screw M5x15L	85933	2
49	Spring washer M4	81649	2
50	Pan head screw M4x15L	81650	2
51	Hex socket bolt M6x20L	83782	4
52	Spring washer CM6	81621	4
53	Carbon holder	83691	2
54	Carbon brush	83689	1 set
55	Carbon cap	83693	2
56	Urethane hose WP15 in: 300 mm, out: 200 mm	81656	2
57	Hose clamp 12	81657	3
58	Connector GES8xPT1/4	81658	2
59	Hex socket bolt M6x18L	83501	3
60	Spring washer CM6	81621	3
61	Elbow WES8xPT1/4	81661	1
62	Oil pump TOP-12A	81717	1
Set	Drive complete	81620	1 set
Set	Scroll assembly (pos. 15-22)	81722	1
Set	Hammer chuck compl. (pos. 1-10)	81600	1 set
Set	Jaw set assembly (pos. 1-6)	81719	1 set
Set	Jaw insert set (pos. 2-4, 6)	56176	1 set

hammer chuck, scroll and gears

dated: 01/17

IMPORTANT!

To assure safety and reliability, repairs, maintenance and adjustment must be performed by ROTHENBERGER Kelheim or authorized Service-Centers. Always use Original-Service-Parts. Order your accessories and spare parts from your specialist retailer or using our Service After Sales hotline



Item no.	Description	Article no.	Quantity
1	Cutter handle	81725	1
2	Cutter body	81609	1
3	Spring pin 6x20L	84191	1
4	Spring pin 3.5x20L	81607	1
5	Cutter guide bar	81610	1
6	Cutter bracket	81611	1
7	Spring pin 6x36L	85778	1
8	Hex socket bolt M5x15L	85862	1
9	Cutter key	85861	1
10	Thrust bearing 51100	88067	1
11	Feed screw head	83396	1
12	Steel ball 3/16"	83485	1
13	Hex socket set bolt M6x12L	83510	1
14	Hex nut M6	84169	1
15	Cutter blade set pin	83308	3
16	Split pin 2x15L	83754	3
17	Cutter roller	83156	2
18	Bracket spring	83752	1
19	Spring pin 10x36L	85757	1
20	Cutter blade NO3	70074	1
21	Cutter blade holder	85794	1
22	Cutter pin	81618	1
23	Spring pin 5x32L	81619	1
24	Spring pin 8x32L	85791	1
25	Reamer blade	56198	1
26	Reamer holder	81728	1
27	Holder pin	85788	1
28	Spring washer M12	85789	1
29	Plain washer S M12	85790	1
30	Spring pin 6x24L	86876	1
31	Rack handle	81631	1
32	Spring pin 6x40L	85916	1
33	Pinion metal	85875	1
34	Rack pinion	84121	1
35	Carriage	81635	1
36	Hex nut M6	84169	1
37	Hex socket set bolt M6x22L	86871	1
38	Binding band	83846	1
39	Protect spring	81639	1
40	Urethane coiling tube NL06-10	81640	1
41	Elbow L4N6x4-PT1/4	81641	1
42	Spring pin 8x32L	85791	1
43	Flat head screw M6x15L (parker)	81642	1
44	Splash protection plate	81644	1
45	Splash protection plate holder	81645	1
46	Holder plate	86899	1
47	Spring washer CM6	81621	1
48	Hex nut M6	84169	1
49	Pan head screw M8x12L	81624	2
50	Spring washer CM8	81625	2
51	Hex nut M12	81032	1
52	Oil adjust screw	86783	1
53	Oil adjust spring	83327	1
54	Steel ball 5/16	85805	1
55	Die head, set pin	85886	1
56	Hex nut M8	FF54352	1
57	Hex socket set bolt M8x15L	86875	1
58	Pinion shaft	87020	1
59	Parallel key 5x5x23L	87019	1
60	Rack gear	87018	1
61	Shaft metal	87017	1
62	Hex socket set bolt M6x22L	86871	1
63	Hex nut M6	84169	1
Set	Rack handle complete (pos. 31-34)	81630	1
Set	Pipe cutter assembly (Pos. 1-22, 42)	81724	1
Set	Reamer assembly (pos. 23-30)	81727	1

IMPORTANT! To assure safety and reliability, repairs, maintenance and adjustment must be performed by ROTHENBERGER
pipe cutter, carriage and reamer Key Service-Partners. Always use Original-Service-Parts. Order your accessories and spare parts
from your specialist retailer or using our Service After Sales hotline **dated 01/17**